

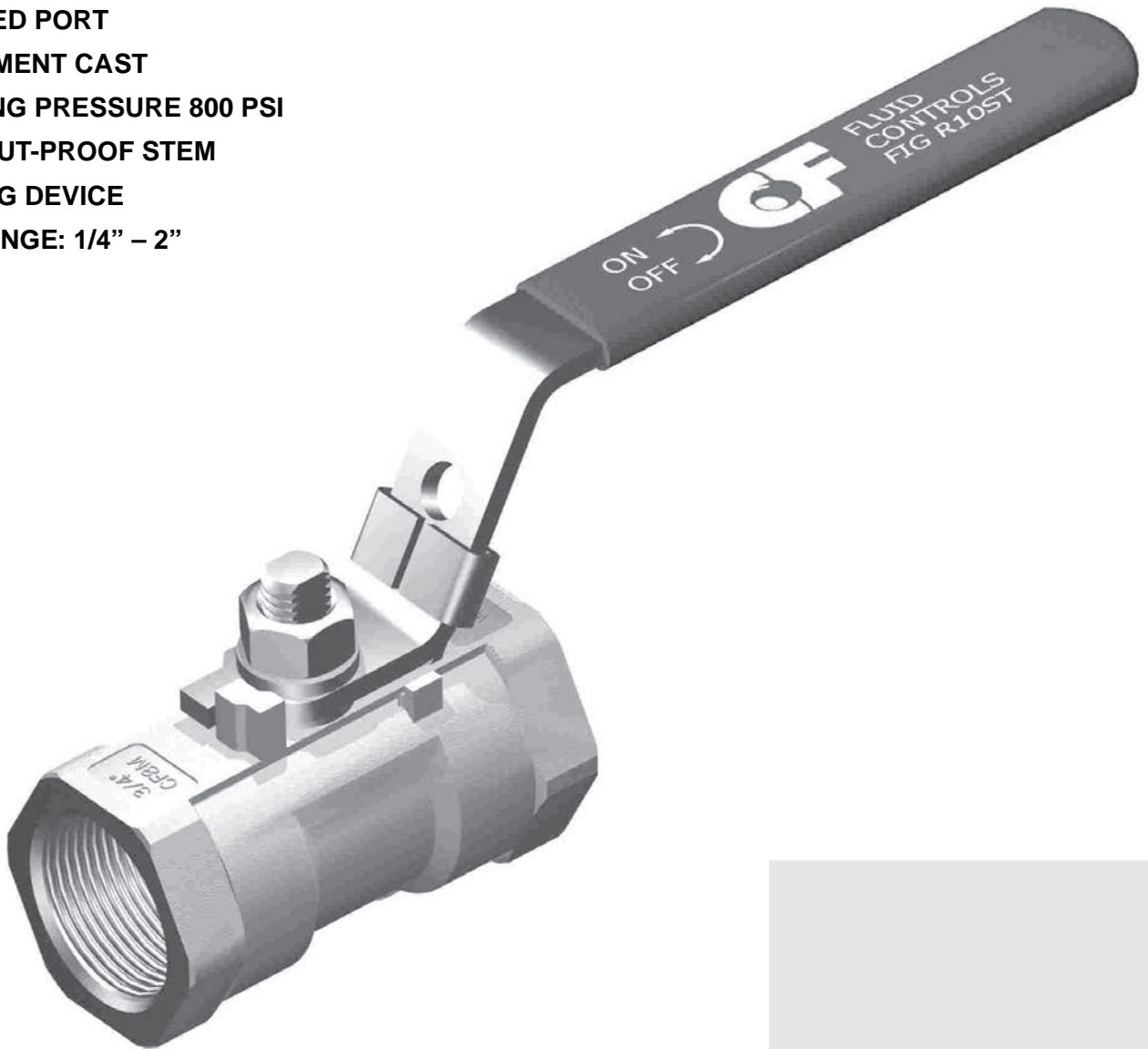
Series R10

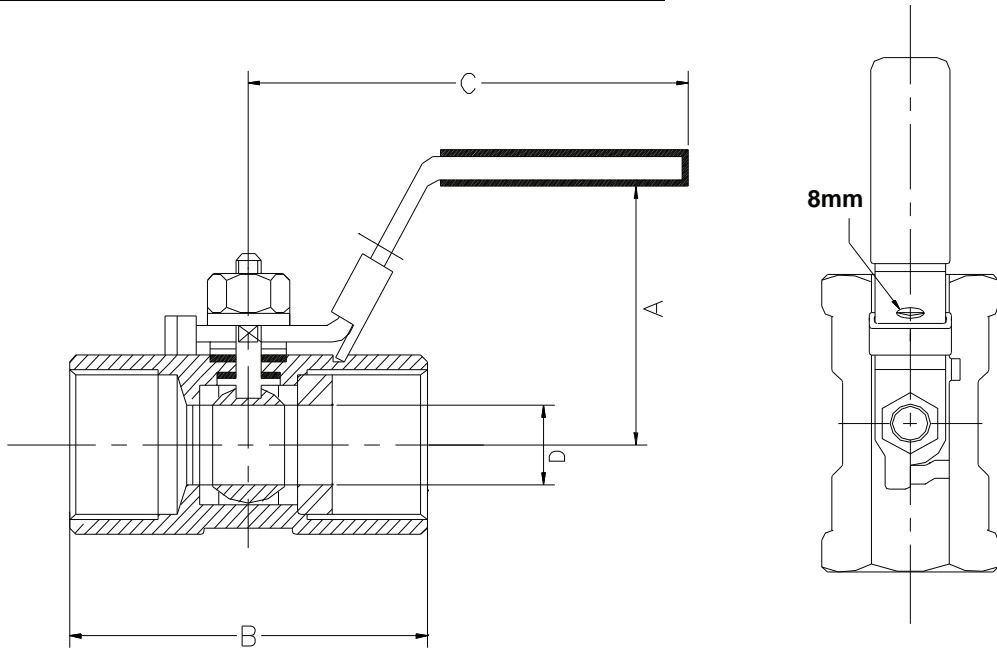
1pc. 800 psi cwp

CF Valves

Features

- ONE PIECE BODY
- REDUCED PORT
- INVESTMENT CAST
- WORKING PRESSURE 800 PSI
- BLOWOUT-PROOF STEM
- LOCKING DEVICE
- SIZE RANGE: 1/4" – 2"





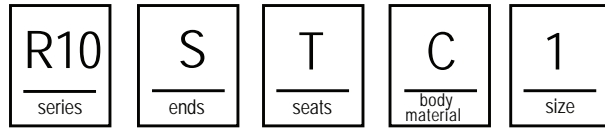
mm - in bold

Size	1/4"	3/8"	1/2"	3/4"	1"	1-1/4"	1-1/2"	2"
A	25	30	45	49	50	53	64	70
	0.98	1.18	1.77	1.93	1.97	2.09	2.52	2.76
B	39	44	56.5	59	71	78	82	100
	1.54	1.73	2.22	2.32	2.80	3.07	3.23	3.94
C	72	81.5	100	100	105	105	135	135
	2.83	3.21	3.94	3.94	4.13	4.13	5.31	5.31
D	5	7.2	9.2	12.5	15	20	25	32
	0.20	0.28	0.36	0.49	0.59	0.79	0.98	1.26

Engineering Data

Ordering Number System

Size	Cv gpm	Weight Lbs.	Torque In./lbs.
1/4"	2.5	0.2	3.5
3/8"	4.5	0.2	7
1/2"	7	0.4	11.3
3/4"	9	0.6	19
1"	16	0.9	30
1-1/4"	24	1.5	44
1-1/2"	37	1.9	57
2"	68	3.0	91



series **R10 One piece, Red. Port 800 psi cwp wog** body material **C CF8M - 316 SS**

ends **S Screwed End - SE,** valve options **3 Oval handle**

seats **T Virgin PTFE**