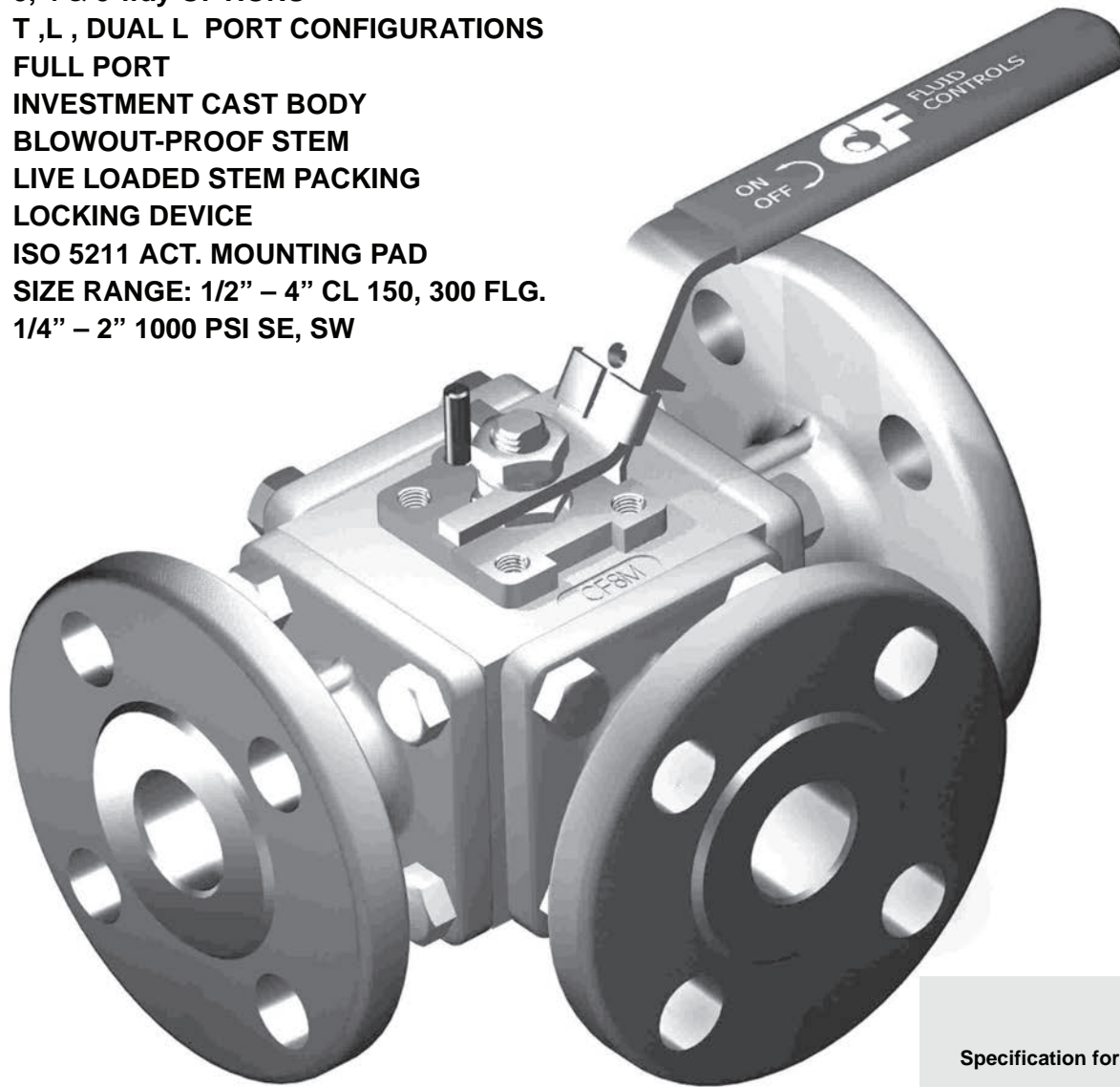


Features

3, 4 & 5 way OPTIONS
T, L, DUAL L PORT CONFIGURATIONS
FULL PORT
INVESTMENT CAST BODY
BLOWOUT-PROOF STEM
LIVE LOADED STEM PACKING
LOCKING DEVICE
ISO 5211 ACT. MOUNTING PAD
SIZE RANGE: 1/2" – 4" CL 150, 300 FLG.
1/4" – 2" 1000 PSI SE, SW



API 6D

Specification for Manufacturing Pipeline Valves

API 598

Valve Inspection and Testing

ASME/ANSI B16.34

Valves Flanged, Threaded, and Welding End

ASME/ANSI B16.5

Flange and Flanged Valve Dimensions

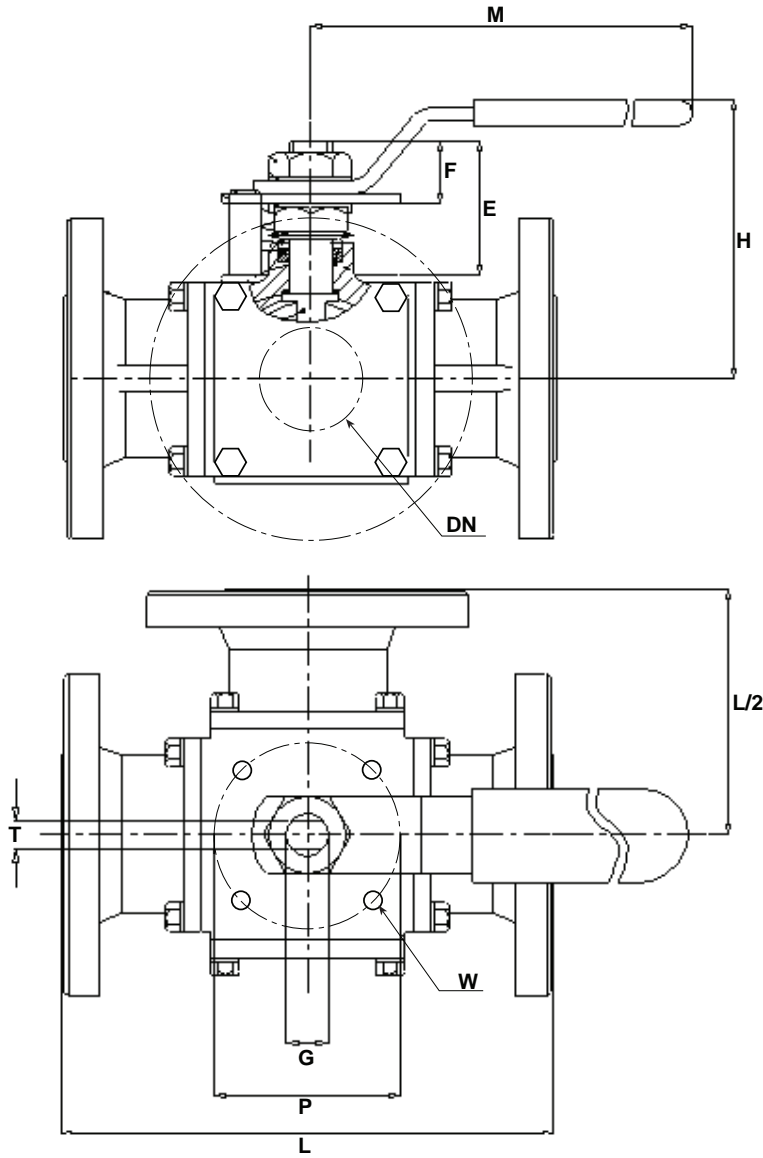
ASME B16.10

Dimension of Valve Face-to-Face

ISO 5211

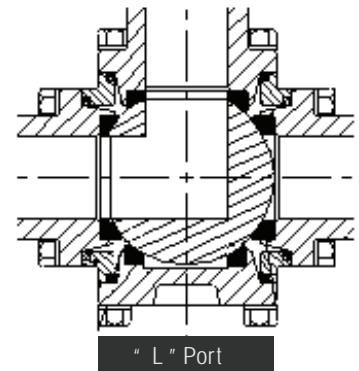
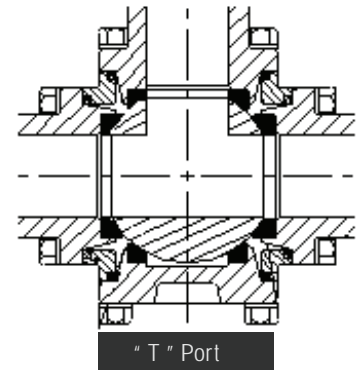
Part-turn Valve Actuator Attachment

Series MP15



Available End Connections

- Flanged End RF Cl.150, Cl.300
- Screwed End - SE, NPT
- Socket Weld - SW
- sch. 40 Butt Weld End
- Tube O.D. Butt Weld
- Tri-Clamp type End



Dimensions in Inches

Size	1/2	3/4	1	1 1/4	1 1/2	2
DN	0.59	0.79	0.99	1.25	1.50	2.00
E	0.71	1.06	1.40	1.83	1.81	2.07
F	0.45	0.55	0.63	0.75	0.75	0.83
H	2.80	3.60	4.50	5.10	5.50	6.35
M	5.71	6.50	7.68	9.84	9.84	12.20
P	1.97	1.97	2.76	2.76	4.02	4.02
W	M6	M6	M8	M8	M10	M10
G	0.47	0.47	0.63	0.63	0.63	0.78
T	0.31	0.31	0.38	0.38	0.38	0.47
L-150	5.98	6.57	7.28	7.91	8.66	9.96
L-300	6.38	7.05	7.72	8.15	8.82	10.20