

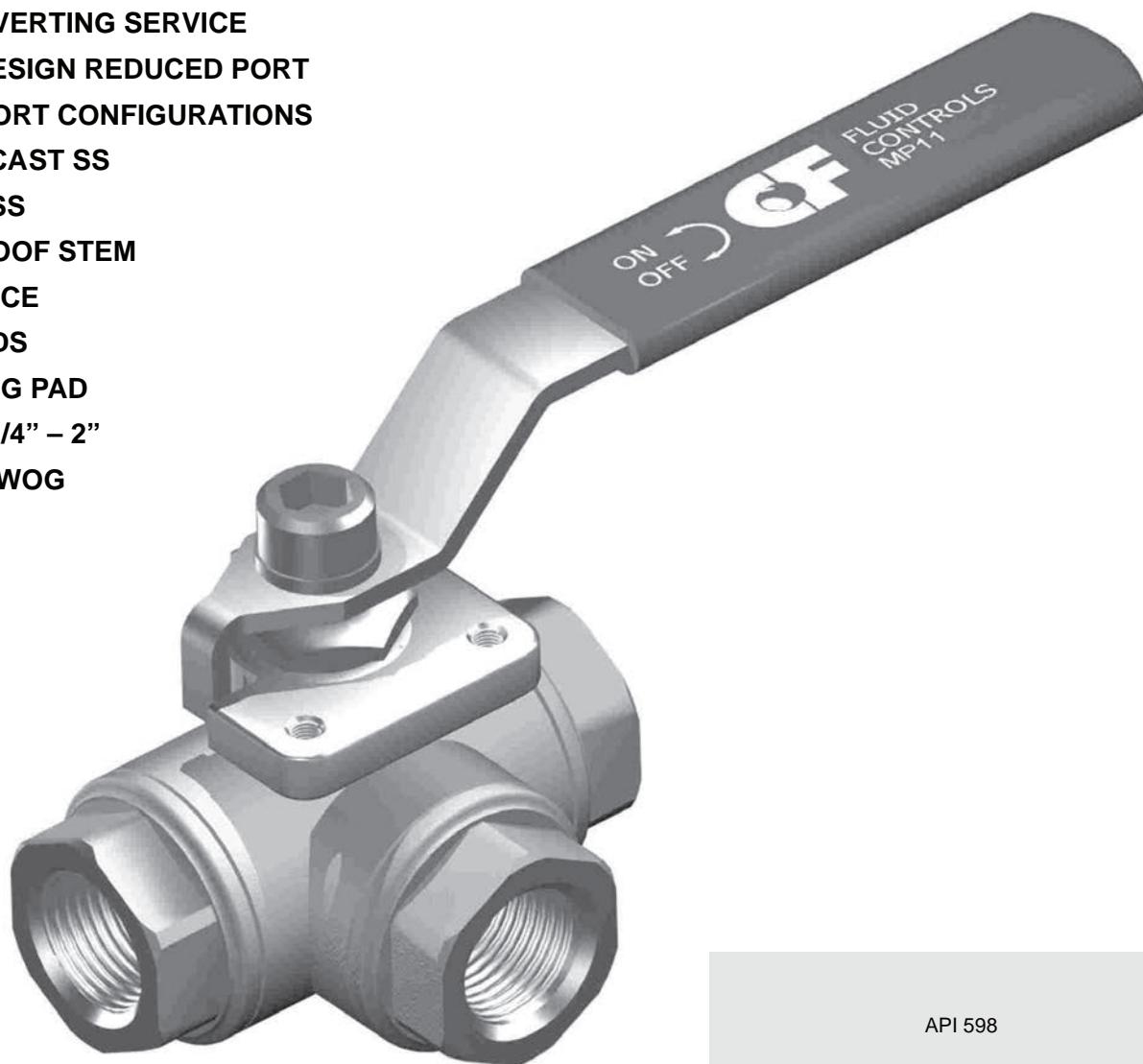
Series MP11

Multi-port / Diverting

CF Valves

Features

- 3 WAY AND DIVERTING SERVICE
- END ENTRY DESIGN REDUCED PORT
- "T" AND "L" PORT CONFIGURATIONS
- INVESTMENT CAST SS
- FORGED BRASS
- BLOWOUT-PROOF STEM
- LOCKING DEVICE
- SCREWED ENDS
- ACT. MOUNTING PAD
- SIZE RANGE: 1/4" – 2"
- 1000 PSI CWP WOG



API 598

Valve Inspection and Testing

ASME/ANSI B16.34

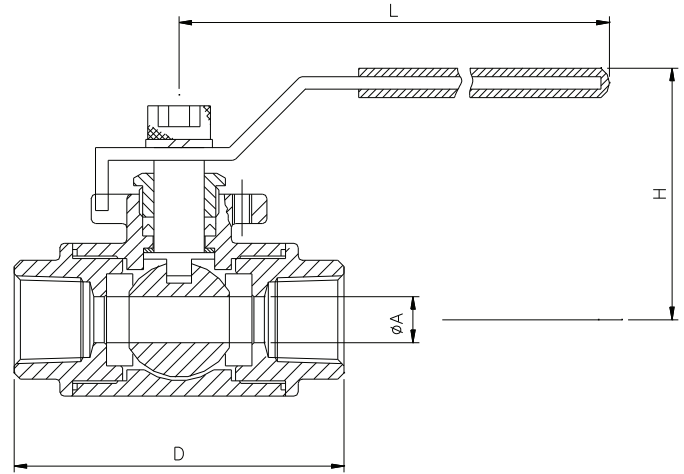
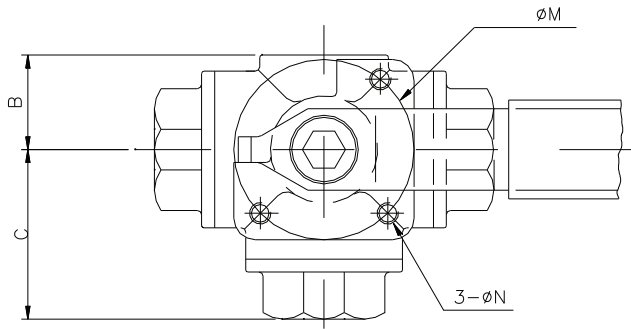
Valves Flanged, Threaded, and Welding End

ANSI B1.20.1

Machining of NPT Threaded Ends

CF Valves

P/N 1.11.01



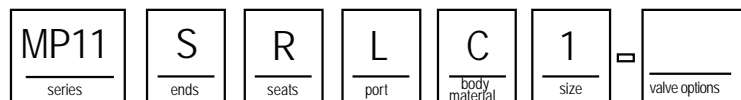
mm - in bold

Size	1/4	3/8	1/2	3/4	1	1 1/4	1 1/2	2
A	9.5	9.5	12	15	20	25	32	40
B	0.37	0.37	0.47	0.59	0.79	0.98	1.26	1.57
C	22	22	22	28	31	34	40	48
D	0.87	0.87	0.87	1.10	1.22	1.34	1.57	1.89
E	39.5	39.5	39.5	44	54	62	67.5	82
F	1.56	1.56	1.56	1.73	2.13	2.44	2.66	3.23
G	79	79	79	88	108	124	135	164
H	3.11	3.11	3.11	3.46	4.25	4.88	5.31	6.46
I	28.5	28.5	28.5	34.5	41	52	58	73
J	1.12	1.12	1.12	1.36	1.61	2.05	2.28	2.87
K	64.5	64.5	64.5	77.5	81	88	93	105
L	2.54	2.54	2.54	3.05	3.19	3.46	3.66	4.13
M	160	160	160	190	190	200	250	250
N	6.30	6.30	6.30	7.48	7.48	7.87	9.84	9.84
O	42	42	42	50	50	50	70	70
P	1.65	1.65	1.65	1.97	1.97	1.97	2.76	2.76
ISO 5211	F04	F04	F04	F05	F05	F05	F07	F07
N	M5	M5	M5	M6	M6	M6	M8	M8

Engineering Data

Ordering Number System

Size	Cv gpm	Weight Lbs.	Torque In./lbs.
1/4"	6	1.8	70
3/8"	6	1.7	70
1/2"	9	1.6	70
3/4"	12	2.6	147
1"	14	6.3	217
1-1/4"	24	6.2	260
1-1/2"	30	8.7	564
2"	50	14.9	737



series	MP11	Three way - SE, RP	body material	C	ASTM A351 gr. CF8M 316 SS
ends	S	Screwed End - SE, NPT		B	Forged Brass
seats	R	15% Glass RPTFE	valve options	SR, DA,	Pneumatic Actuator
	T	Virgin PTFE		LC, V	Electric Actuator
porting	L	L port arrangement		-	No options (blank)
	T	T port arrangement		2	Extended Stem Manual Operator
				3	Round/Oval Handwheel Operator
				6	Spring Return Lever Operator



Houston, TX USA 713-941-2419
www.cfvalves.com