

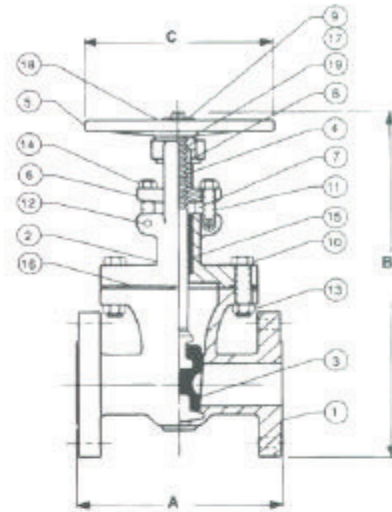
GT15F/GT30F

Class 150, 300 Gate Valve

| LIST OF MATERIALS | | |
|-------------------|----------------|-----------|
| ITEM | DESCRIPTION | SPEC. |
| 1 | BODY | A351 CF8M |
| 2 | BONNET | A351 CF8M |
| 3 | WEDGE | A351 CF8M |
| 4 | STEM | A479 316 |
| 5 | HANDWHEEL | A197 |
| 6 | GLAND FLANGE | A351 CF8M |
| 7 | PACKING GLAND | A479 316 |
| 8 | STEM BUSHING | A439 D2C |
| 9 | HANDWHEEL NUT | A47GR |
| 10 | BONNET BOLT | A193-B8 |
| 11 | HINGE BOLT | A193-B8 |
| 12 | HINGE BOLT PIN | A479 304 |
| 13 | BONNET NUT | A194-8 |
| 14 | HINGE NUT | A194-8 |
| 15 | PACKING | PTFE |
| 16 | GASKET | PTFE |
| 17 | SET SCREW | A108 CS |
| 18 | NAMEPLATE | SS |
| 19 | THRUST WASHER | A479 410 |

- Outside screw and yoke
- Rising stem
- Solid or flex wedge
- Available through 24"
- ASTM A351 CF8M

Flange dimension to ANSI B16.5
 Face to face dimension to ANSI B16.10
 Designed in accordance with ANSI B16.34
 Testing to API 598



| DIMENSIONS | | CLASS 150 | | | | | | | | | | | | | |
|------------|--|-----------|------|------|-------|-------|-------|-------|-------|-------|-------|-------|-------|-------|-------|
| SIZE | | 1/2 | 3/4 | 1 | 1-1/4 | 1-1/2 | 2 | 2-1/2 | 3 | 4 | 5 | 6 | 8 | 10 | 12 |
| A | | 4.50 | 4.62 | 5.00 | 5.50 | 6.50 | 7.00 | 7.50 | 8.00 | 9.00 | 10.00 | 10.50 | 11.50 | 13.00 | 14.00 |
| B | | 7.48 | 7.40 | 9.05 | 10.25 | 11.49 | 13.07 | 15.00 | 16.53 | 20.86 | 25.00 | 28.74 | 36.77 | 43.86 | 51.85 |
| C | | 3.94 | 3.94 | 4.72 | 5.30 | 5.51 | 6.30 | 7.09 | 7.87 | 8.81 | 12.40 | 12.40 | 13.98 | 13.98 | 15.74 |

| DIMENSIONS | | CLASS 300 | | | | | | | | | | | | | |
|------------|--|-----------|------|-------|-------|-------|-------|-------|-------|-------|-------|-------|-------|-------|-------|
| SIZE | | 1/2 | 3/4 | 1 | 1-1/4 | 1-1/2 | 2 | 2-1/2 | 3 | 4 | 5 | 6 | 8 | 10 | 12 |
| A | | 5.50 | 6.00 | 6.50 | 7.00 | 7.50 | 8.50 | 9.50 | 11.12 | 12.00 | 15.00 | 15.98 | 16.50 | 18.00 | 19.75 |
| B | | 8.07 | 8.18 | 12.48 | 13.00 | 13.50 | 15.12 | 16.77 | 19.07 | 22.86 | 25.91 | 31.57 | 39.96 | 47.60 | 55.75 |
| C | | 3.94 | 3.94 | 4.72 | 7.09 | 7.09 | 7.67 | 7.87 | 8.82 | 9.84 | 13.98 | 13.98 | 15.75 | 17.72 | 19.69 |

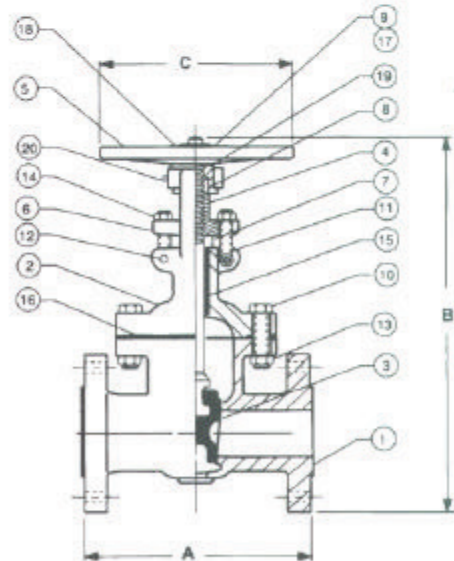
GT60F

Class 600 Gate Valve

| LIST OF MATERIALS | | |
|-------------------|----------------|-----------|
| ITEM | DESCRIPTION | SPEC. |
| 1 | BODY | A351 CF8M |
| 2 | BONNET | A351 CF8M |
| 3 | WEDGE | A351 CF8M |
| 4 | STEM | A479 316 |
| 5 | HANDWHEEL | A197 |
| 6 | GLAND FLANGE | A351 CF8M |
| 7 | PACKING GLAND | A479 316 |
| 8 | STEM BUSHING | A439 D2C |
| 9 | HANDWHEEL NUT | A47GR |
| 10 | BONNET BOLT | A193-B8 |
| 11 | HINGE BOLT | A193-B8 |
| 12 | HINGE BOLT PIN | A479 304 |
| 13 | BONNET NUT | A194-8 |
| 14 | HINGE NUT | A194-8 |
| 15 | PACKING | PTFE |
| 16 | GASKET | PTFE |
| 17 | SET SCREW | A108 CS |
| 18 | NAMEPLATE | SS |
| 19 | THRUST WASHER | A479 410 |

- Outside screw and yoke
- Rising stem
- Solid wedge
- Available through 14"
- ASTM A351 CF8M

Flange dimension to ANSI B16.5
 Face to face dimension to ANSI B16.1
 Designed in accordance with ANSI B1
 Testing to API 598



| DIMENSIONS | | CLASS 600 | | | | | | | | | | | | | |
|------------|--|-----------|------|-------|-------|-------|-------|-------|-------|-------|-------|-------|-------|-------|--|
| SIZE | | 1/2 | 3/4 | 1 | 1-1/2 | 2 | 2-1/2 | 3 | 4 | 5 | 6 | 8 | 10 | 12 | |
| A | | 6.50 | 7.50 | 8.50 | 9.50 | 11.50 | 13.00 | 14.00 | 17.00 | 20.00 | 22.00 | 26.00 | 31.00 | 33.00 | |
| B | | 9.18 | 9.71 | 14.16 | 15.22 | 16.50 | 17.99 | 20.12 | 25.00 | 29.76 | 37.72 | 42.44 | 48.88 | 56.69 | |
| C | | 4.72 | 4.72 | 7.10 | 7.10 | 7.85 | 8.50 | 8.50 | 13.50 | 15.75 | 17.72 | 19.68 | 24.85 | 27.96 | |