

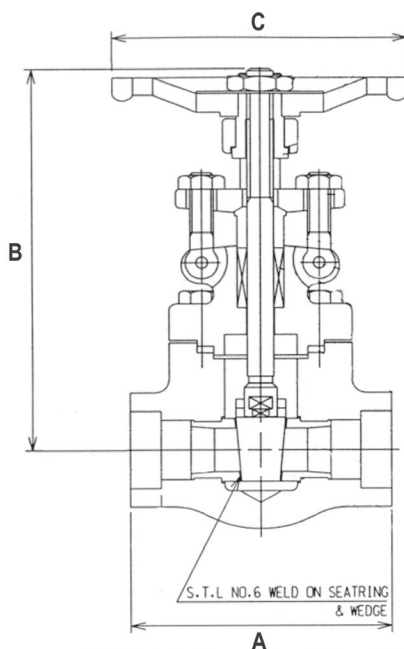
GT80S

Class 800 Gate Valve

- Bolted bonnet
- Outside screw and yoke
- Screwed end and socket weld
- 800 psi at 1100 F
- 2000 psi at 100 F

LIST OF MATERIALS

DESCRIPTION	SPEC.
BODY	F316L SS
BONNET	F316 SS
WEDGE	F316 SS
BONNET GASKET	SS\ GRAFOIL
NAMEPLATE	SS
GLAND FLANGE	F304 SS
HANDWHEEL	DUCTILE IRON
STEM	F316 SS
PACKING GLAND	F316 SS
PACKING	GRAPHITE
BUSHING	410 SS
SEAT RING	F316 SS
HANDWHEEL NUT	ASTM A36
BONNET BOLT	B8
GLAND BOLT	F304 SS
GLAND NUT	304 SS



DIMENSIONS

SIZE	1/2	3/4	1	1-1/4	1-1/2	2
A	3.10	3.56	4.50	4.75	4.75	5.25
B	6.28	6.28	7.47	9.91	11.03	12.25
C	4.00	4.00	4.75	5.75	7.00	7.00

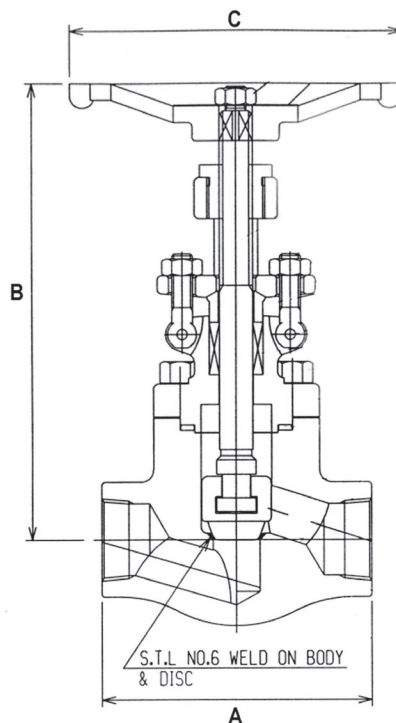
GL80S

Class 800 Globe Valve

- Bolted bonnet
- Outside screw and yoke
- Screwed end and socket weld
- 800 psi at 1100 F
- 2000 psi at 100 F

LIST OF MATERIALS

DESCRIPTION	SPEC.
BODY	F316L SS
BONNET	F316 SS
DISC	F316 SS
BONNET GASKET	SS\ GRAFOIL
NAMEPLATE	SS
GLAND FLANGE	F304 SS
HANDWHEEL	DUCTILE IRON
STEM	F316 SS
PACKING GLAND	F316 SS
PACKING	GRAPHITE
BUSHING	410 SS
HANDWHEEL NUT	ASTM A36
BONNET BOLT	B8
GLAND BOLT	F304 SS
GLAND NUT	304 SS



DIMENSIONS

SIZE	1/2	3/4	1	1-1/4	1-1/2	2
A	4.00	4.62	6.25	6.25	7.75	9.00
B	5.94	6.38	7.72	7.72	9.72	11.02
C	4.00	4.75	5.75	5.75	7.00	8.00