

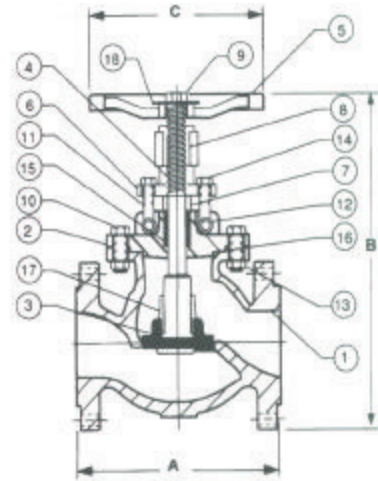
GL15F/GL30F

Class 150, 300 Globe Valve

LIST OF MATERIALS		
ITEM	DESCRIPTION	SPEC.
1	BODY	A351 CF8M
2	BONNET	A351 CF8M
3	DISC	A351 CF8M
4	STEM	A479 316
5	HANDWHEEL	A197
6	GLAND FLANGE	A351 CF8M
7	PACKING GLAND	A479 316
8	STEM BUSHING	A439 D2C
9	HANDWHEEL NUT	A47GR
10	BONNET BOLT	A193-B8
11	HINGE BOLT	A193-B8
12	HINGE BOLT PIN	A479 304
13	BONNET NUT	A194-8
14	HINGE NUT	A194-8
15	PACKING	PTFE
16	GASKET	PTFE
17	LOCK NUT	A479 316
18	NAMEPLATE	SS

- Outside screw and yoke
- Rising stem
- Plug type disc
- Available through 16"
- ASTM A351 CF8M

Flange dimension to ANSI B16.5
Face to face dimension to ANSI B16.10
Designed in accordance with ANSI B16.34
Testing to API 598



DIMENSIONS		CLASS 150											
SIZE		1/2	3/4	1	1-1/4	1-1/2	2	2-1/2	3	4	6	8	10
A		4.25	4.62	5.00	5.50	6.50	8.00	8.50	9.50	11.50	16.00	19.50	24.50
B		7.48	7.79	9.05	9.75	10.23	10.39	10.78	12.95	13.94	16.90	22.36	30.51
C		3.94	3.94	4.72	5.50	7.09	7.09	7.87	8.82	11.02	13.98	15.75	17.72

DIMENSIONS		CLASS 300											
SIZE		1/2	3/4	1	1-1/4	1-1/2	2	2-1/2	3	4	6	8	10
A		6.00	7.00	8.00	8.50	9.00	10.50	11.50	12.50	14.00	17.50	22.00	24.50
B		7.48	7.79	9.05	10.00	10.82	12.99	13.93	15.27	17.95	23.23	27.40	30.67
C		3.94	3.94	5.51	6.50	7.09	7.87	8.81	11.02	13.98	15.75	17.72	19.68

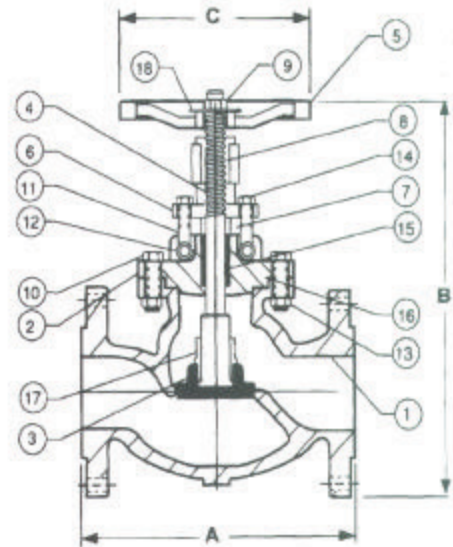
GL60F

Class 600 Globe Valve

LIST OF MATERIALS		
ITEM	DESCRIPTION	SPEC.
1	BODY	A351 CF8M
2	BONNET	A351 CF8M
3	DISC	A351 CF8M
4	STEM	A479 316
5	HANDWHEEL	A197
6	GLAND FLANGE	A351 CF8M
7	PACKING GLAND	A479 316
8	STEM BUSHING	A439 D2C
9	HANDWHEEL NUT	A47GR
10	BONNET BOLT	A193-B8
11	HINGE BOLT	A193-B8
12	HINGE BOLT PIN	A479 304
13	BONNET NUT	A194-8
14	HINGE NUT	A194-8
15	PACKING	PTFE
16	GASKET	PTFE
17	LOCK NUT	A479 316
18	NAMEPLATE	SS

- Outside screw and yoke
- Rising stem
- Plug type disc
- Available through 12"
- ASTM A351 CF8M

Flange dimension to ANSI B16.5
Face to face dimension to ANSI E
Designed in accordance with ANS
Testing to API 598



DIMENSIONS		CLASS 600											
SIZE		1/2	3/4	1	1-1/4	1-1/2	2	2-1/2	3	4	6	8	10
A		6.50	7.50	8.50	9.00	9.50	11.50	13.00	14.00	17.00	22.00	26.00	31.00
B		7.87	8.26	9.84	10.50	11.60	13.66	16.93	18.82	20.87	26.57	28.39	38.27
C		3.94	3.94	5.51	6.50	7.87	8.50	11.00	12.50	14.25	19.50	22.00	24.80