

Series F20

3pc. 2000 psi cwp



Features

- IN-LINE SERVICEABLE THREE PIECE BODY
- FULL PORT
- INVESTMENT CAST BODY
- THREADED ENDS NPT & SOCKET WELD
- BLOWOUT-PROOF STEM
- LOCKING DEVICE
- LIVE LOADED ADJUSTABLE STEM PACKING
- ISO 5211 ACTUATOR MOUNTING PAD
- 2000 PSI WOG 1/4" - 1"
- 1500 PSI WOG 1-1/4" - 2"
- 250 SATURATED STEAM
- SIZE RANGE: 1/4" - 2"
- 3000 PSI 1/4" - 1" D-Seats
- 2000 PSI 1-1/4" - 2" D-Seats



API 598

Valve Inspection and Testing

ASME/ANSI B16.34

Valves Fanged, Threaded, and Welding End

ISO 5211

Part-turn Valve Actuator Attachment

ANSI B1.20.1

Machining of NPT Threaded Ends

ANSI B16.11

Machining of Socket Weld Ends

ANSI B16.25

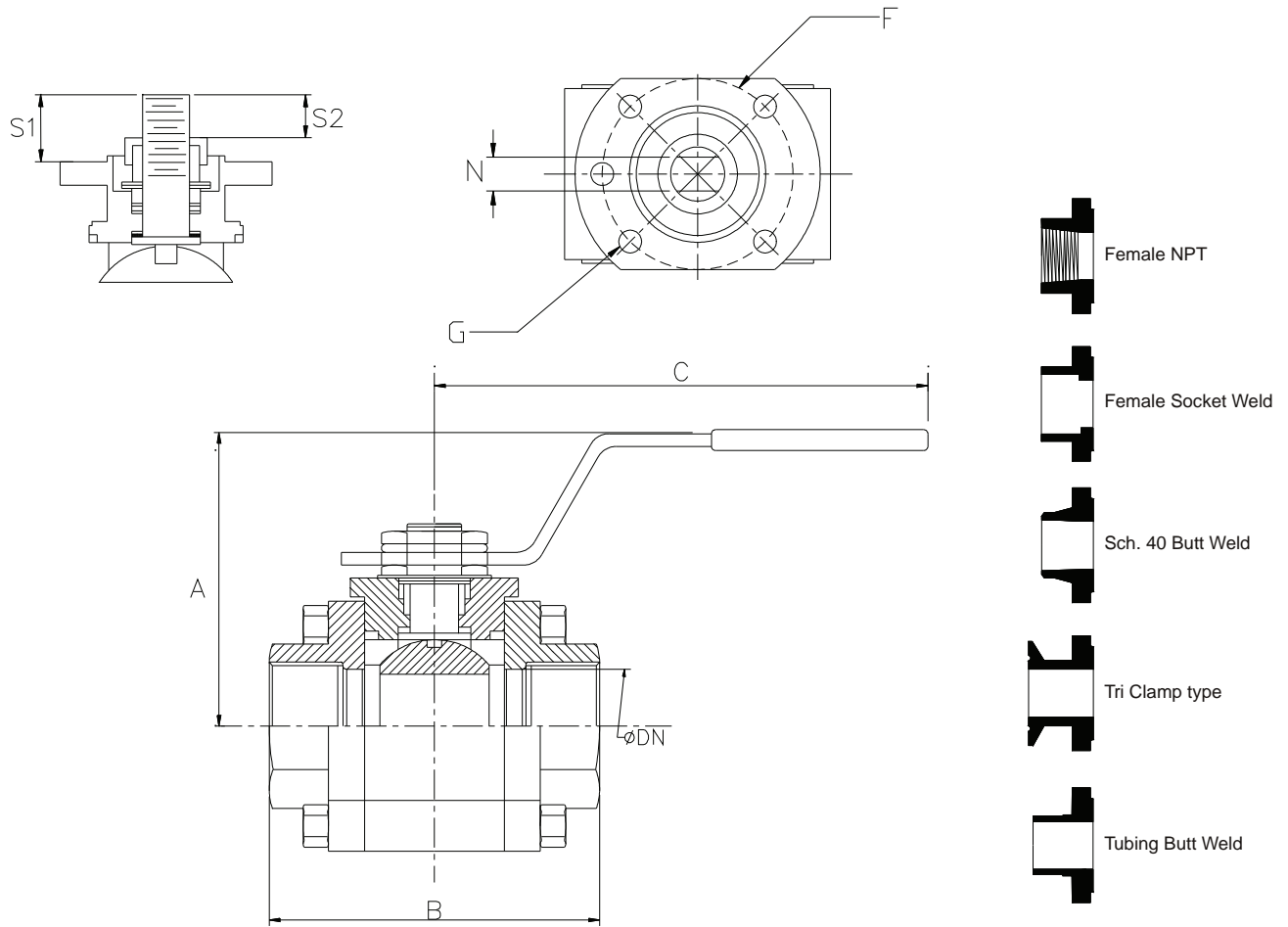
Machining of Butt Weld Ends



Dimensions



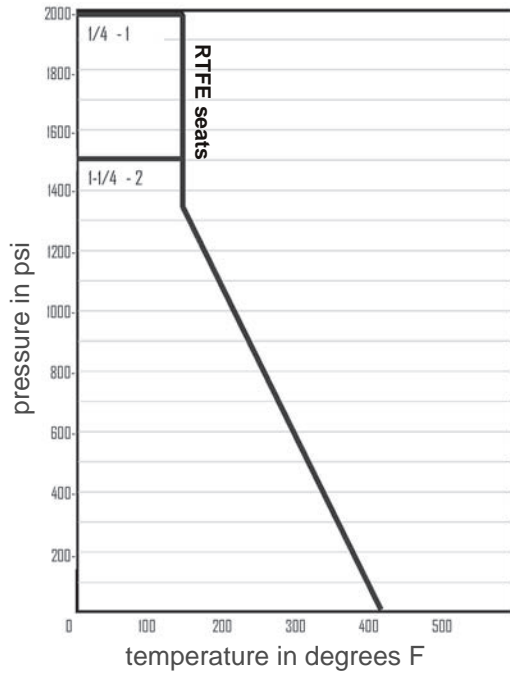
Series F20



mm - in bold

Size	1/4	3/8	1/2	3/4	1	1 1/4	1 1/2	2
A	46	46	48	62	66.5	79.25	84	96
	1.81	1.81	1.89	2.44	2.62	3.12	3.31	3.78
B	60	60	75	80	90	110	120	140
	2.36	2.36	2.95	3.15	3.54	4.33	4.72	5.51
C	95	95	120	120	160	160	200	200
	3.74	3.74	4.72	4.72	6.30	6.30	7.87	7.87
DN	11.6	12.7	15	20	25.4	31.8	38.1	50.8
	0.46	0.50	0.59	0.79	1.00	1.25	1.50	2.00
F	36	36	36	42	42	50	50	70
	1.42	1.42	1.42	1.65	1.65	1.97	1.97	2.76
ISO 5211	F03	F03	F03	F04	F04	F05	F05	F07
G	M5	M5	M5	M5	M5	M6	M6	M6
N	5	5	5	6.5	6.5	8	8	9
	0.20	0.20	0.20	0.26	0.26	0.31	0.31	0.35
S1	13	13	13	15	22	21	23	22
	0.5	0.5	0.52	0.58	0.85	0.81	0.92	0.85
S2	10	10	11	11	14	14	16	15
	0.4	0.4	0.43	0.43	0.55	0.55	0.62	0.6

Pressure / Temperature Rating

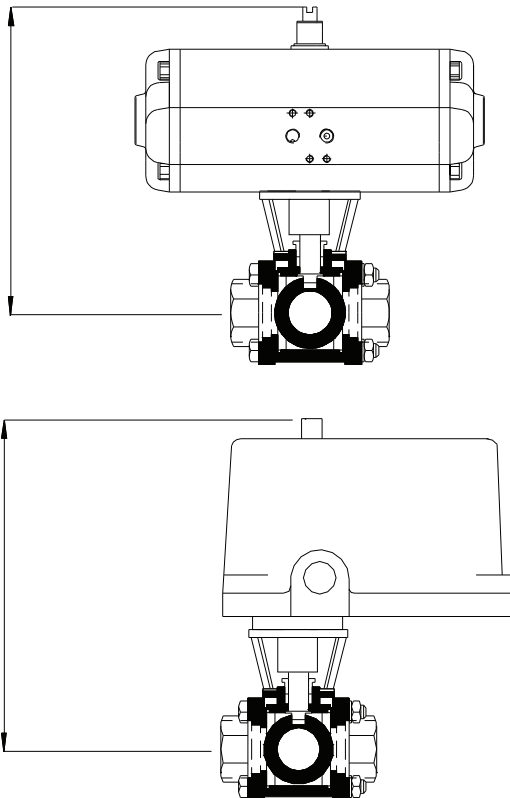


Size	Cv gpm	Weight Lbs.	Torque In./lbs.
1/4"	6	1.1	43
3/8"	7	1.8	43
1/2"	10	2.5	56
3/4"	25	3.75	78
1"	35	5.2	131
1-1/4"	46	8.85	190
1-1/2"	80	13.50	224
2"	110	22	276

CF Series F20 with Actuator

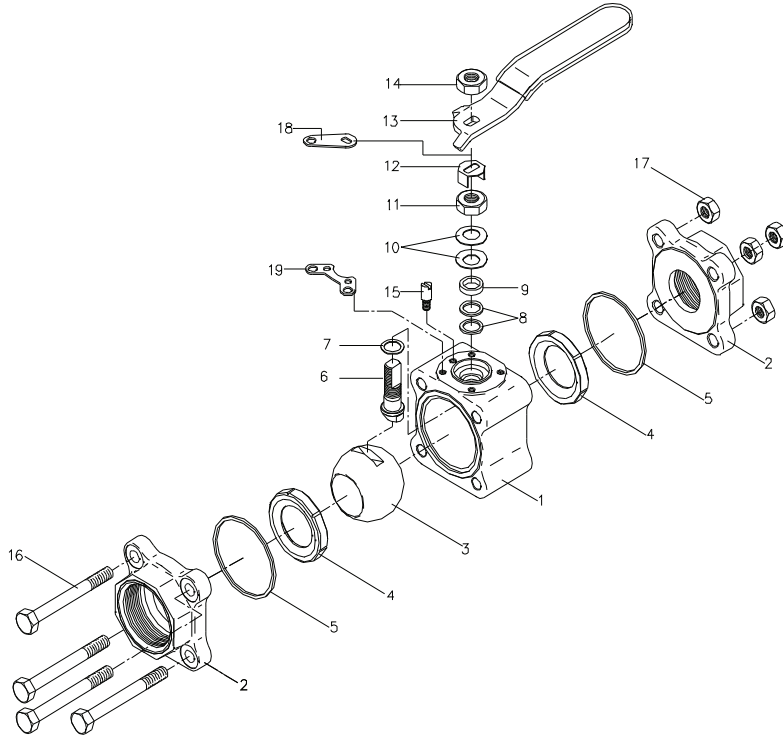
Use the actuator sizing below to estimate the amount of space needed to install the stated CF automation assembly. The valve and actuator combinations are configured according to the above torque figures reflecting the maximum "seatbreak" torque required to move the ball from fully open or closed position and reseal the valve in clean/wet

service at ambient temperature and valve's maximum working pressure. A number of factors may increase the operating torque of these valves. Therefore, size the actuator for your specific conditions. If unsure, select a larger actuator.



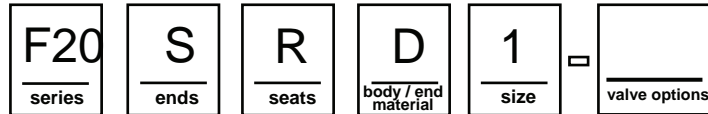
Size	DA series Pneumatic	SR series Pneumatic	Electric actuator
1/4"	6.50 DA32	7.45 SR52	9.5 LCR-150
3/8"	6.50 DA32	7.45 SR52	9.5 LCR-150
1/2"	6.75 DA32	6.65 SR52	9.8 LCR-150
3/4"	6.75 DA52	7.23 SR63	10.0 LCR-150
1"	6.95 DA52	6.95 SR75	10.25 LCR-150
1-1/4"	7.25 DA63	8.25 SR85	11.50 LCR-300
1-1/2"	8.55 DA63	8.75 SR85	11.50 LCR-300
2"	8.75 DA63	10.25 SR100	13.00 LCR-300

Components



No.	Part Name	Material
1	Body	CF3M, WCB, A20
2	End Cap	CF3M, WCB, A20
3	Ball	316 SS, A20
4	Seat	RPTFE
5	BodySeal	PTFE
6	Stem	316SS, A20
7	Thrust Washer	PTFE
8	Packing	PTFE
9	Packing gland	316 SS, A20
10	Spring Washers	50CrV4
11	Packing Nut	AISI 304
12	Locking Tab	AISI 304
13	Lever	AISI 304
14	Lever Nut	AISI 304
15	Travel Stop	AISI 304
16	Body Bolt	AISI 304
17	Body Nut	AISI 304
18,19	Locking Device	AISI 304

Ordering Number System



series	F20	Three piece, Full Port 2000psi CWP WOG 1/4"-1" 1500psi CWP WOG 1-1/4"-2"	FZ20	Certified FIRESAFE to API 607 4th. ed.
ends	S	Screwed End - SE, NPT	W	Socket Weld - SW
	X	NPT one end SW one end	B	sch. 40 Butt Weld End
	M	Tube O.D. Butt Weld	T	Tri-Clamp type Ends
seats	R	15% Glass Reinforced PTFE	T	Virgin PTFE
	P	Peek	C	Carbon Graphite RPTFE
	S	Stainless Steel RPTFE		
body material	S	ASTM A216 gr. WCB Carbon Steel	C	ASTM A351 gr. CF8M 316 Stainless Steel
	D	ASTM A351 gr. CF3M 316L low carbon Stainless Steel	T	ASTM A351 gr. CF8 304 Stainless Steel
	P	ASTM A351 gr. CF3 304L Low carbon Stainless Steel	J	ASTM A351 gr. CN7M Alloy 20
valve options	SR,DA	Pneumatic Actuator	LC,V	Electric Actuator
	-	No Options	1	Manual Gear Operator
	2	Extended Stem Manual Operator	3	Round/Oval Handwheel Operator
	4	Cryogenic Extension	5	Cleaned for Oxygen Service
	6	Spring Return Lever Operator	7	Polished Internals from 20 RA to 9 RA



Houston TX USA 713 941 2419

www.cfvalves.com