

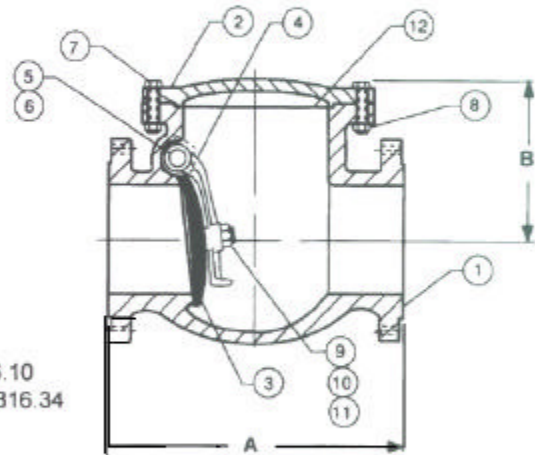
CK15F/CK30F

Class 150, 300 Swing Check Valve

LIST OF MATERIALS		
ITEM	DESCRIPTION	SPEC.
1	BODY	A351 CF8M
2	COVER	A351 CF8M
3	DISC	A351 CF8M
4	HINGE	A351 CF8M
5	HINGE PIN	A497 316
6	PLUG	A497 316
7	BONNET BOLT	A193-B8
8	BONNET NUT	A194-8M
9	DISC NUT	A194-8M
10	DISC WASHER	A479 316
11	SPLIT PIN	A479 316
12	GASKET	PTFE

- Bolted cover
- Swing type disc
- Available through 18"
- ASTM A351 CF8M

Flange dimension to ANSI B16.5
 Face to face dimension to ANSI B16.10
 Designed in accordance with ANSI B16.34
 Testing to API 598



DIMENSIONS		CLASS 150													
SIZE		1/2	3/4	1	1-1/4	1-1/2	2	2-1/2	3	4	5	6	8	10	12
A		4.25	4.62	5.00	5.50	6.50	8.00	8.50	9.50	11.50	13.00	14.00	19.50	24.50	27.50
B		3.26	3.42	3.93	3.93	4.60	5.31	5.98	6.18	7.75	8.30	9.60	11.37	12.72	13.93

DIMENSIONS		CLASS 300													
SIZE		1/2	3/4	1	1-1/4	1-1/2	2	2-1/2	3	4	5	6	8	10	12
A		5.50	6.00	8.50	9.00	9.50	10.50	11.50	12.50	14.00	15.75	17.50	21.00	24.50	28.00
B		3.38	3.50	4.09	4.30	4.64	5.82	6.14	6.85	8.26	9.06	10.03	12.12	13.77	15.19

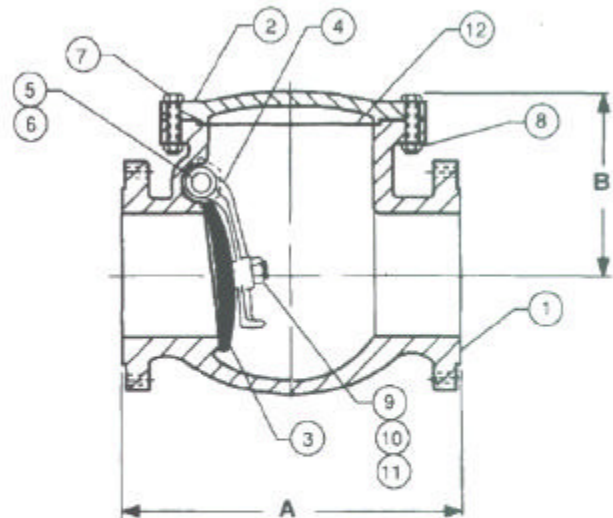
CK60F

Class 600 Swing Check Valve

LIST OF MATERIALS		
ITEM	DESCRIPTION	SPEC.
1	BODY	A351 CF8M
2	COVER	A351 CF8M
3	DISC	A351 CF8M
4	HINGE	A351 CF8M
5	HINGE PIN	A497 316
6	PLUG	A497 316
7	BONNET BOLT	A193-B8
8	BONNET NUT	A194-8M
9	DISC NUT	A194-8M
10	DISC WASHER	A479 316
11	SPLIT PIN	A479 316
12	GASKET	PTFE

- Bolted cover
- Swing type disc
- Available through 12"
- ASTM A351 CF8M

Flange dimension to ANSI B16.5
 Face to face dimension to ANSI B16.10
 Designed in accordance with ANSI B16.34
 Testing to API 598



DIMENSIONS		CLASS 600												
SIZE		1/2	3/4	1	1-1/2	2	2-1/2	3	4	5	6	8	10	12
A		6.50	7.50	8.50	9.50	11.50	13.00	14.00	17.00	20.00	22.00	26.00	31.00	33.00
B		3.50	3.75	4.25	4.85	7.45	8.50	8.25	10.50	11.25	12.94	14.31	18.25	19.25